

K2 by Kinetico™ Drinking Water System

System Components

Pre-filter (qty.)	
Chlorinated Feed Water	(1) Granular Activated Carbon
Non-chlorinated Feed Water	(1) 5 micron sediment
Post-filter (qty.)	(1) Granular Activated Carbon
Membrane Housing (qty.)	(1) Quick Connect, Engineered Plastic
Primary Membrane (qty.)	(1) Thin Film Composite
Primary Membrane Size	1.7 x 10.0" (8.0 ft ²)
Array Configuration	Single
Drain Control	0.026" Capillary Tube
System Shut-off Control	Hydraulic Controller
Permeate Quality Monitor	Optional
System Controller	Hydraulic Controller
Frame	Anodized Aluminum

Inlet Water Quality

Pressure	35 – 100 psi Dynamic Pressure
Temperature Range	35 – 100° F
pH Range	3 – 11 SU
Free Chlorine Cl ₂ (Max.)	
with carbon pre-filter	4.0 mg/L
with sediment pre-filter	0.05 mg/L
Hardness as CaCO ₃ (Max.)	<10 gpg (170 mg/L)
Silica (Max.)	10.0 mg/L
Iron (Max.)	<0.01 mg/L
Total Dissolved Solids, TDS (Max.)	<3,000 mg/L

Operating Specs

Daily Production (77° F, 500 mg/L Feed Water)	10.9 gallons/day
Recovery	24.66%
Reject Rate (NaCl / CaCO ₃)	95% / 98%
Normal Operating Pressure	60 psi
Dimensions (Width x Depth x Height)	13 x 5 x 16"
Weight (Operating / Shipping)	4 / 4 lbs.

Connections

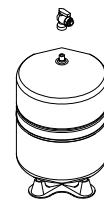
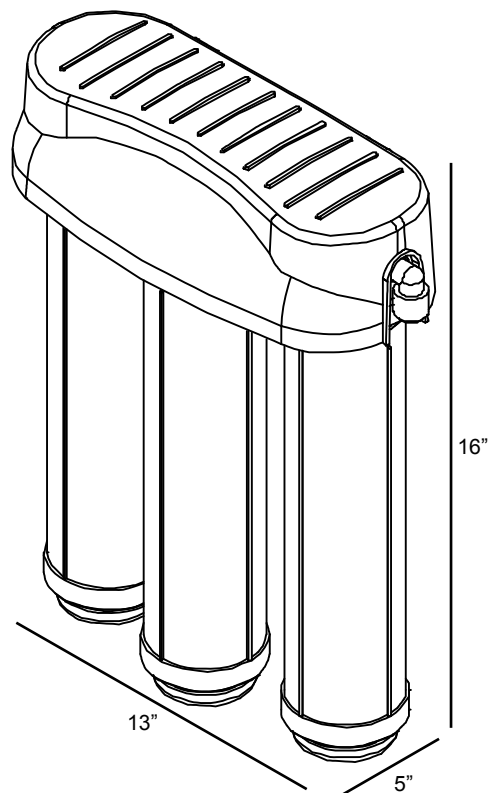
Inlet	0.375" Tube
Permeate	0.375" Tube
Drain Connection	0.250" Tube
Power	None

Storage Tank Options

Tank Description	3 gallon
Tank Part Number	9344A
Tank Height	14 1/8"
Tank Footprint	9 1/16"
Material	Steel

Part Numbers

K2 by Kinetico Drinking Water System, Carbon Pre-filter, Non-Air Gap Faucet	4020
K2 by Kinetico Drinking Water System, Sediment Pre-filter, Non-Air Gap Faucet	4021
K2 by Kinetico Drinking Water System, Carbon Pre-filter, Air Gap Faucet	4022
K2 by Kinetico Drinking Water System, Sediment Pre-filter, Air Gap Faucet	4023



K2 by Kinetico™ Drinking Water System

Operating Profile

The system shall use reverse osmosis technology to reduce the total dissolved solids (TDS) level in water by a minimum of 95.0%. The system shall use line pressure for energy required to separate TDS from water. Normal system operating pressure shall be 60 psi. The system uses an internal valve that closes and depressurizes the system when the unit goes into shut-down. System shutdown is achieved when permeate pressure increases to 2/3 inlet pressure.

Membranes and Housings

The system shall use thin film composite membranes in a spiral wound configuration with dimensions of 1.7 x 10.0". One membrane will be used to permeate 10.9 gpd of water, based on a 77° F operating temperature. Membrane construction will provide for low energy requirements by operating at a minimal working pressure. Housings shall be of engineered plastic rated to 100 psi. One housing shall be used, designed to contain one 1.7 in. x 10.0 in. membrane element.

Plumbing Configuration

The system shall be rated for a maximum working pressure of 100 psi. Primary plumbing components shall be of polypropylene and engineered plastic. A capillary tube shall control reject flow. Membrane shall be configured in a single stage orientation.

System Controls

System function is completely automatic. The operational sequence is controlled by hydraulic signals within the RO system. These signals control the pressurization and depressurization of the membrane.

Frame

System dimensions shall not exceed 13 x 5 x 16". Units shall use an anodized coated aluminum frame.