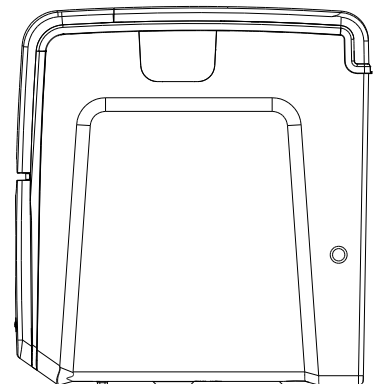
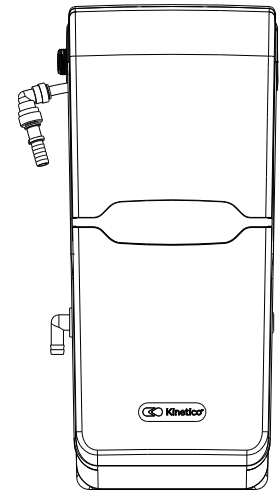
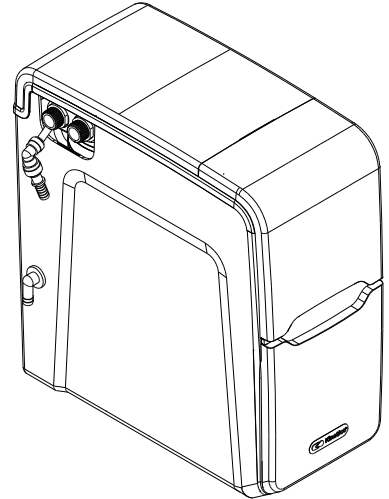


Model HE INT

Design Specifications		
Part Number	16145	
Flow Configuration	Alternating	
Flow Rate @ 1 Δ bar	22.7 lpm	6.0 gpm
Metering Range (Half Louver)	1.13 - 94.6 lpm	0.3 - 25.0 gpm
Pressure Range	1.8 - 6 bar Dynamic Pressure	26 - 87 psi Dynamic Pressure
Temperature Range	2 - 23°C	36 - 73°F
Free Chlorine Cl ₂ (Max.)	0.0 ppm	
Hardness as CaCO ₃ (Max. in ppm)	507 ppm	
pH Range	5 - 10 SU	
Iron (ferrous)	0 for Packed Bed	
Iron (ferric)	0 for Packed Bed	
System Components		
Media Vessel (Qty. 2) Size	152 x 330 mm	6.0 x 13.0 inch
Media Vessel Construction	Engineered Plastic	
Empty Bed Volume	None	
Media Type	Non-Solvent Fine Mesh Cation Resin	
Media Volume (Per Tank)	4.5 liters	0.16 cubic foot
Total Bed Depth	Packed	
Free Board	None	
Riser Tube (Qty. 2)	1.0" Diameter ABS	
Distributor Upper (Qty. 2)	0.23 mm Slots, Engineered Plastic Basket	0.009 inch Slots, Engineered Plastic Basket
Distributor Lower (Qty. 2)	0.19 mm Slots, Stainless Steel Flat Plate	0.007 inch Slots, Stainless Steel Flat Plate
Regeneration Control	Non-electric Use Meter	
Connections		
Port Sizes on Level One (Qty. 2)	33.6 mm I.D.	1.32 inch I.D.
Inlet / Outlet Connections	N/A	
Drain Connection	0.62" O.D. Tube	
Brine Line Connection	0.25" O.D. Tube	
Brine Tank Overflow	0.62" O.D. Tube	
Power	None	
Dimensions and Weight		
Dimensions (Width x Depth x Height)	498 x 219 x 468 mm	19.6 x 8.6 x 18.4 inch
Shipping Weight	17.0 kg	37.5 lb
Operating Weight	21.7 kg	47.8 lb
Key Valve Components & Characteristics		
Meter Nozzle	Part Number 13689 - Nozzle, Meter-Half Louver-ACS	
Meter Gearing	2-2-7-6	
Meter Turbine	PP9 - 9258	
Regeneration Gearing	2-2-2-2	
Backwash Flow Control	0.70 GPM	
Regeneration Turbine	Turbine Regen 10 Jet	
Brine Refill Flow Control	0.30 GPM SIL	
Regeneration Specifications at 3.8 bar (55 psi)		
Total Regeneration Cycle Time	11 Minutes	
Salt Used per Regeneration	0.34 kg	0.75 lb
Backwash Flow Rate	2.7 lpm	0.70 gpm
Regeneration Flow	Countercurrent	
Salt Capacity (Pellet)	3.9 kg	8.5 lb
Salt Capacity (Block) Qty. 2	2 x 4.0 kg = 8.0 kg Total Weight	2 x 8.8 lb = 17.6 lb Total Weight
Water Used for Regeneration	20.5 liters	5.4 gal



Salt Setting									
0.34 kg (0.75 lb)		Capacity @ 55 psi			145967 ppm (2255 grains)				
Meter Disc		1	2	3	4	5	6	7	8
Max Hardness	gpg	4	9	13	17	21	25	28	30
	ppm	77	152	226	300	370	440	490	528
	dH	4	9	13	17	21	25	28	30
	°TH	8	15	23	30	37	44	50	52
Liters/Gallons Between Regeneration		1961/518	980/259	654/173	490/130	392/104	327/86	280/74	245/65